

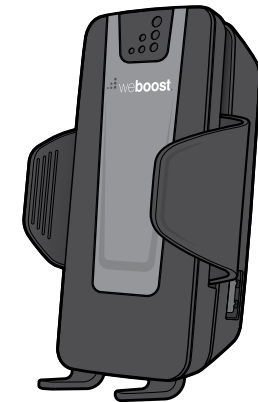
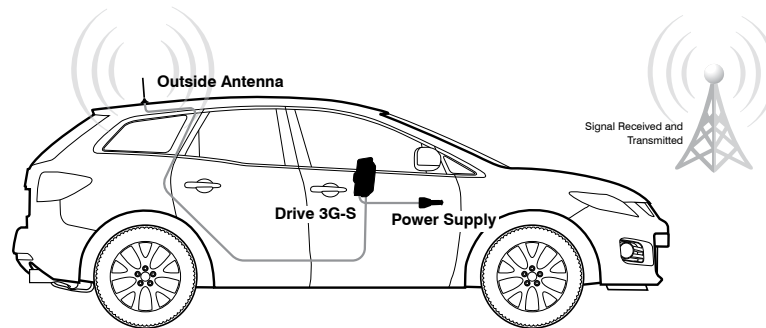
**Note:**

THE SIGNAL BOOSTER UNIT IS DESIGNED FOR USE IN AN INDOOR, TEMPERATURE-CONTROLLED ENVIRONMENT (LESS THAN 150 DEGREES FAHRENHEIT). IT IS NOT INTENDED FOR USE IN ATTICS OR SIMILAR LOCATIONS SUBJECT TO TEMPERATURES IN EXCESS OF 150°F.

**How It Works**

Your cell phone is an essential part of your life. weBoost is here to ensure you have seamless connections on all your cellular devices.

The Drive 3G-S cellular signal booster is an effective solution to all those times you have lost a call while driving your vehicle due to a weak cell signal. Installation is simple and can be completed with minimal tools.



**Drive 3G-S  
Quick Install Guide**

For more information refer to full Install Guide at: [www.weboost.com/us/installguide/drive3G-S](http://www.weboost.com/us/installguide/drive3G-S)

**Product Registration**

Thank you for purchasing this weBoost product. Please take time to register your new product at our website:

[www.weboost.com/us/productregistration](http://www.weboost.com/us/productregistration)

Registering is quick and easy, it only takes 2-3 minutes to complete. Your information is secure, we don't share or sell your information to other third parties.

This device complies with part 15 of the FCC Rules. Operation is subject to the following two conditions: (1) This device may not cause harmful interference, and (2) This device must accept any interference received, including interference that may cause undesired operation.

⚠ RF Safety: Any antenna used with this device must be located at least 8 inches from all persons.

FCC: PWO460006 IC: 4726A-460006



3301 East Deseret Drive, St. George, UT 84790  
web: [www.weboost.com](http://www.weboost.com) | email: [support@weboost.com](mailto:support@weboost.com)  
phone: 866-294-1660 | local: 435-673-5021 | fax: 435-656-2432



111507\_Rev02\_01.30.15

**NEED ASSISTANCE? WE CAN HELP!**

Contact our U.S.-BASED CUSTOMER SUPPORT:

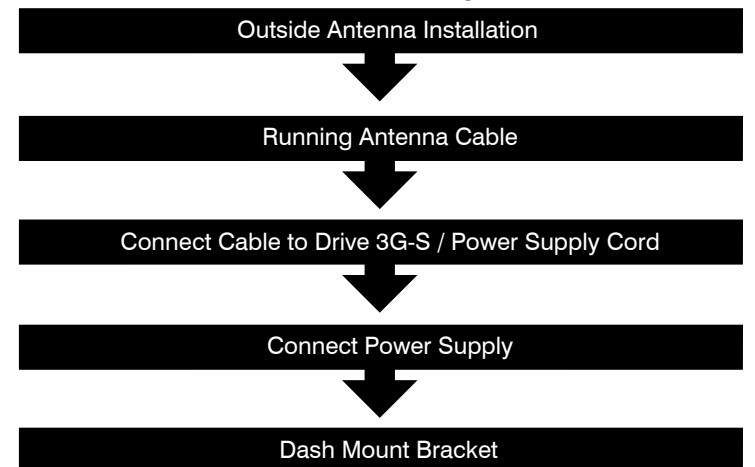
- Contact our U.S.- based customer support team at 1-866-294-1660 or email at [support@weboost.com](mailto:support@weboost.com)
- Go online for how to resolve the most common issues at [www.weboost.com/us/customersupport](http://www.weboost.com/us/customersupport)
- Find a weBoost Installer on our web site at [www.weboost.installernet.com](http://www.weboost.installernet.com)

Installation is simple, but we're here to make it even easier.

**Package Contents**

- |                           |                 |                  |
|---------------------------|-----------------|------------------|
| Drive 3G-S Signal Booster | DC Power Supply | Mounting Bracket |
| Mini-Magnet Antenna       | USB Cable       |                  |

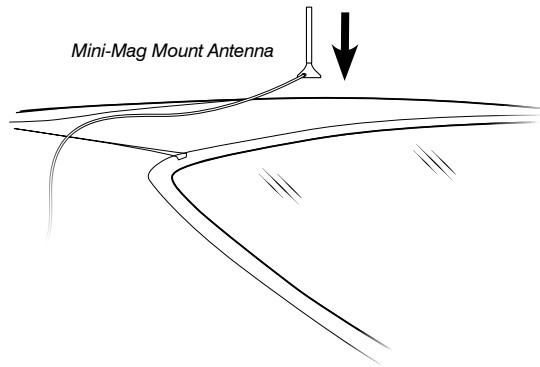
**Quick Install Diagram**



## 1 Outside Antenna Installation

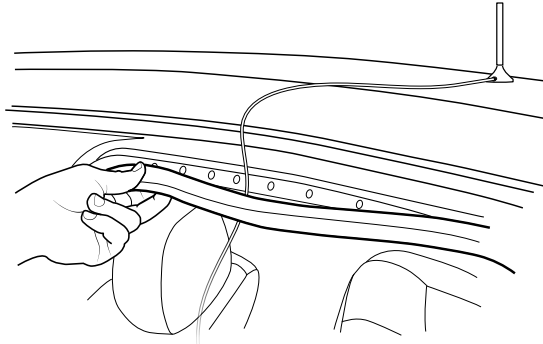
Select a location on top of the vehicle to mount the Mini-Mag Mount Antenna that is:

- Near the center of the vehicle's roof.
- Free of obstructions.
- At least 12 inches from any other antennas.
- At least 6 inches from any windows (including sunroofs).



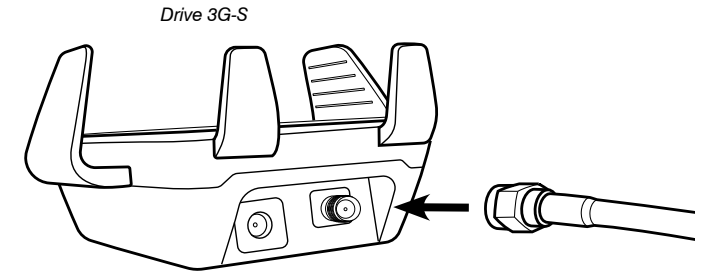
## 2 Running Antenna Cable

Run the Outside Antenna cable into the car. The cable is strong enough that it may be shut in most vehicle doors without damaging the cable. For a cleaner look, carefully pull down the door seal, run the cable under the seal, and push the seal back into place. This method reduces wear on the cable as the door opens and closes.



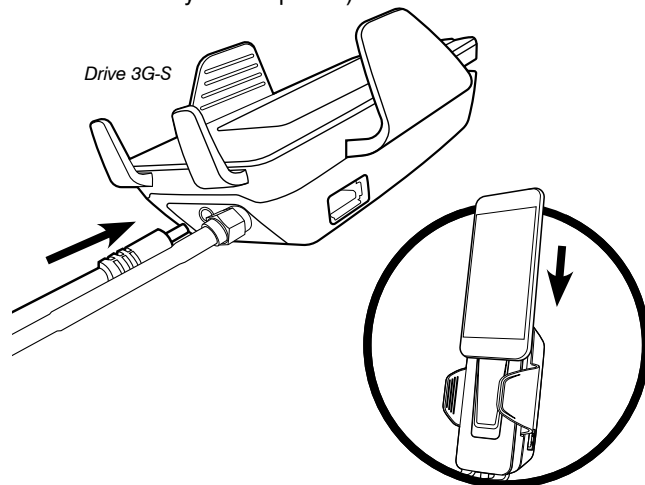
## 3 Connect Coax Cables to Drive 3G-S

Connect the cable from the Mini-Mag Mount Antenna to the connector on the bottom of the Drive 3G-S.



## 4 Connect Power Supply to Drive 3G-S

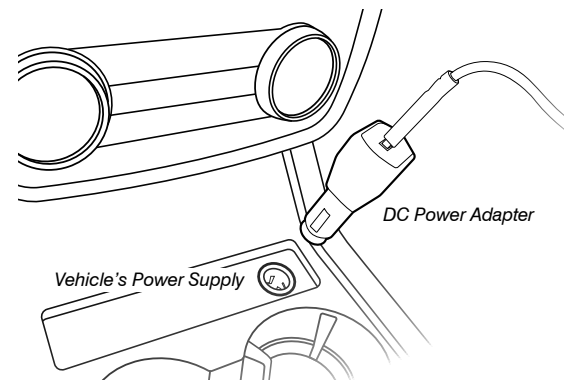
Connect the power cable to the connector on the bottom of the Drive 3G-S. Slide cell phone into cradle (may have to adjust arms in different slots to fit your cell phone).



## 5 Connect to Power Supply

Plug the power adapter into vehicle's 12V DC power supply. If your Drive 3G-S is working correctly, the light will be green.

NOTE: If lights are not green on your weBoost booster, please refer to the full install guide online or contact customer support at 1-866-294-1660 or email at [support@weboost.com](mailto:support@weboost.com).



## 6 Mount Dash Bracket (optional).

Clean the area where the bracket is to be mounted with the alcohol wipe included. Allow the area to dry. Peel the backing to expose the adhesive and press the bracket onto the desired location on the dashboard. Attach the Drive 3G-S by aligning the rectangular hole on the back with the tab on Mounting Bracket pushing downward.

